



info@nabtaker-mech.com



+974 4404 7760 / +974 6622 4428



linkedin.com/company/nabtaker-engineering/



Doha - Qatar



CFD for Water Industry

Test Performance, Optimize Durability and Improve Efficiency

“No Need for Costly Testing or Prototyping”

For Water Industry

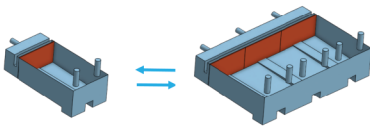
Nabtaker specializes in providing Engineering Simulation by Computational Fluid Dynamics (CFD) Analysis. Water industry (manufacturers, suppliers, engineers and operators) can get the

benefit of using simulation to test designs in a virtual environment and offers proposals to explore designs and system operation digitally through detailed and accurate prediction of physical behavior.

When & How..?

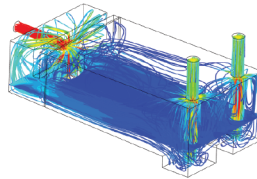
1 During R&D Stage

Virtual Prototyping and Scaling Up



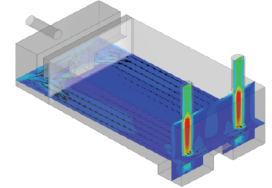
2 During Design Stage

Virtual Performance



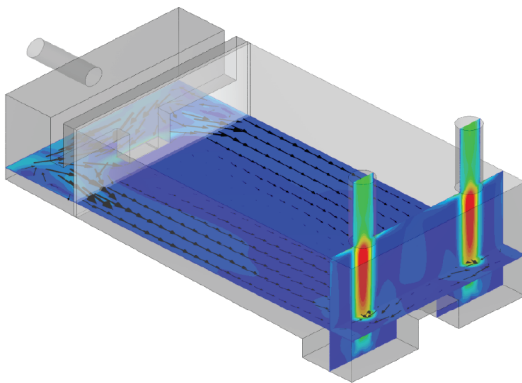
3 During Operation Stage

Virtual Optimization

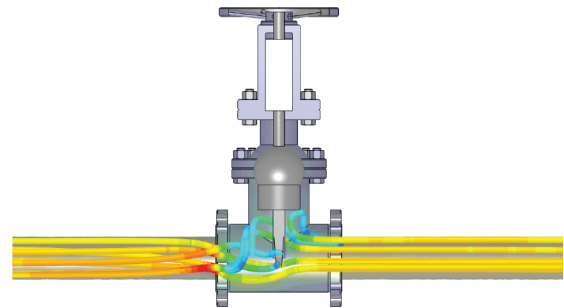


Applications of CFD Analysis in Water Industry

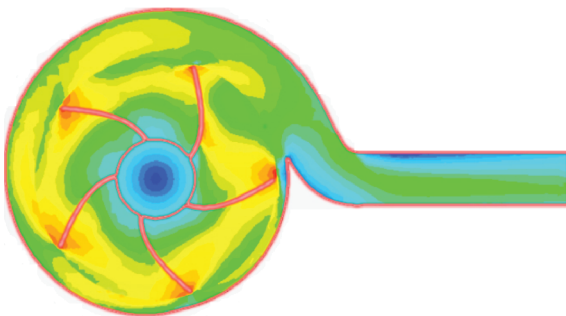
Pump Station Performance Validation



Pipe Network Flow Analysis



Water Pump Performance Assessment



Cavitation/Water Hammer Detection Analysis

